

Sample Boards 2016

LAST UPDATED: 25-01-2021

DEMO



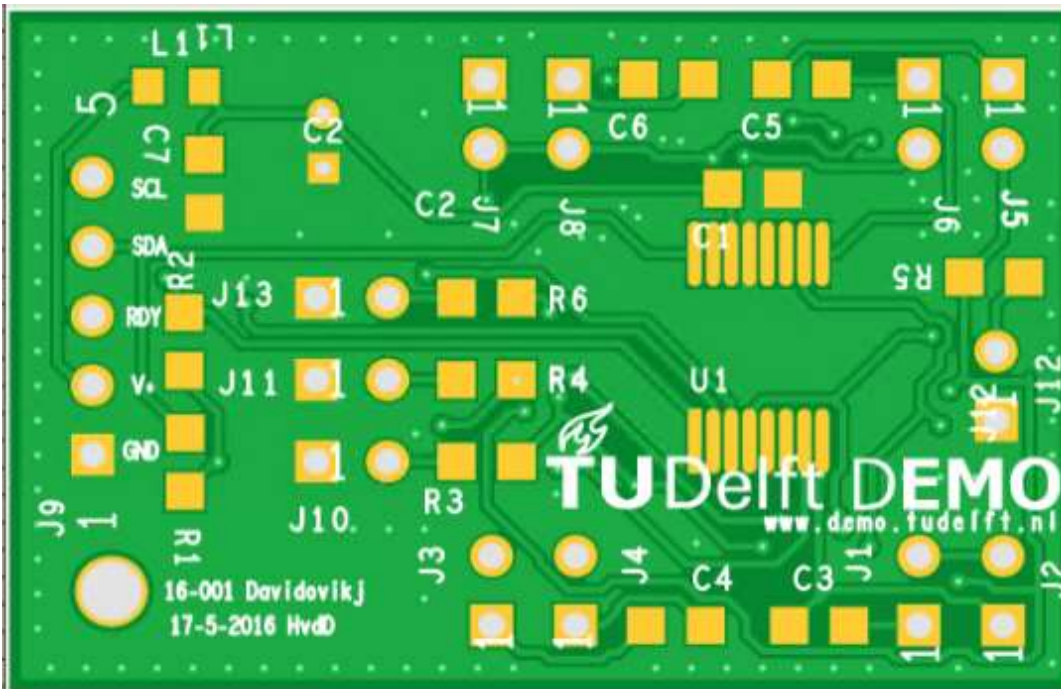
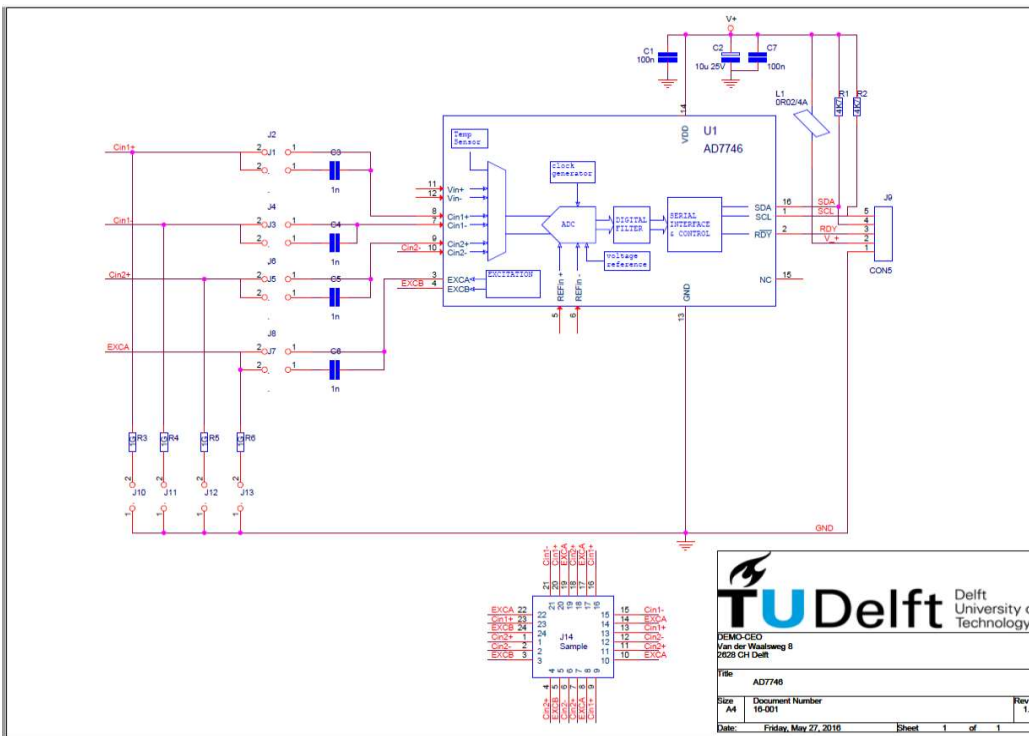
Sample Boards

16-001 Sample Boards Davidovikj	3
16-002 Bias Tee	4
16-003 RC filter	5
16-004 Sample Board Zheng	6
16-005 Copper powder stick	7
16-006 Sample Board Dehollain	8
16-012 Sample board v Dam	9
16-013 Sample Board Hensgens	10
16-016 CuP filter LFCN RC PCB Cassidy	11
16-017 CuP filter Roy Li	12
16-018 Sample Board Udit	13
16-020 Sample Board Homulle	14
16-021 RC filter LD400	15
16-023 Sample Board Tierschmann	16
16-024 RC filter LDHE	17
16-025 FFC flex LD400 LDHE XLD	18
16-026 RC filter XLD	19

16-001 Sample Boards Davidovikj

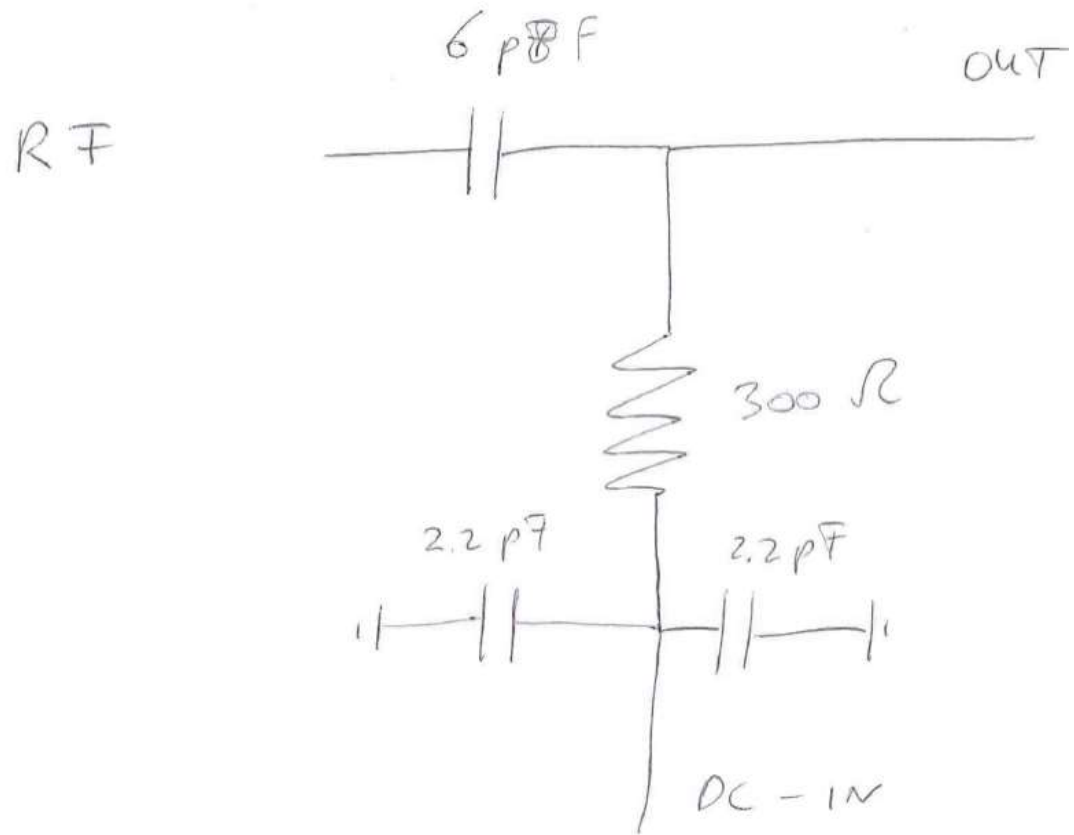
Sample Board

size (LxWxT): 38 x 25 x ? mm



16-002 Bias Tee

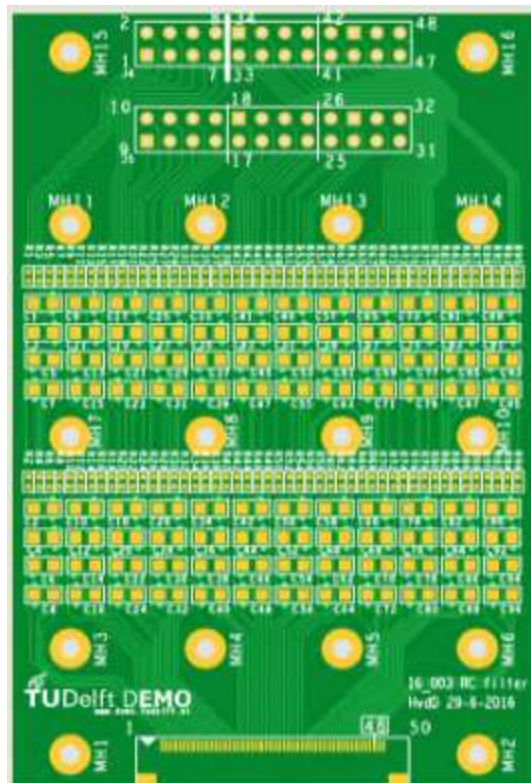
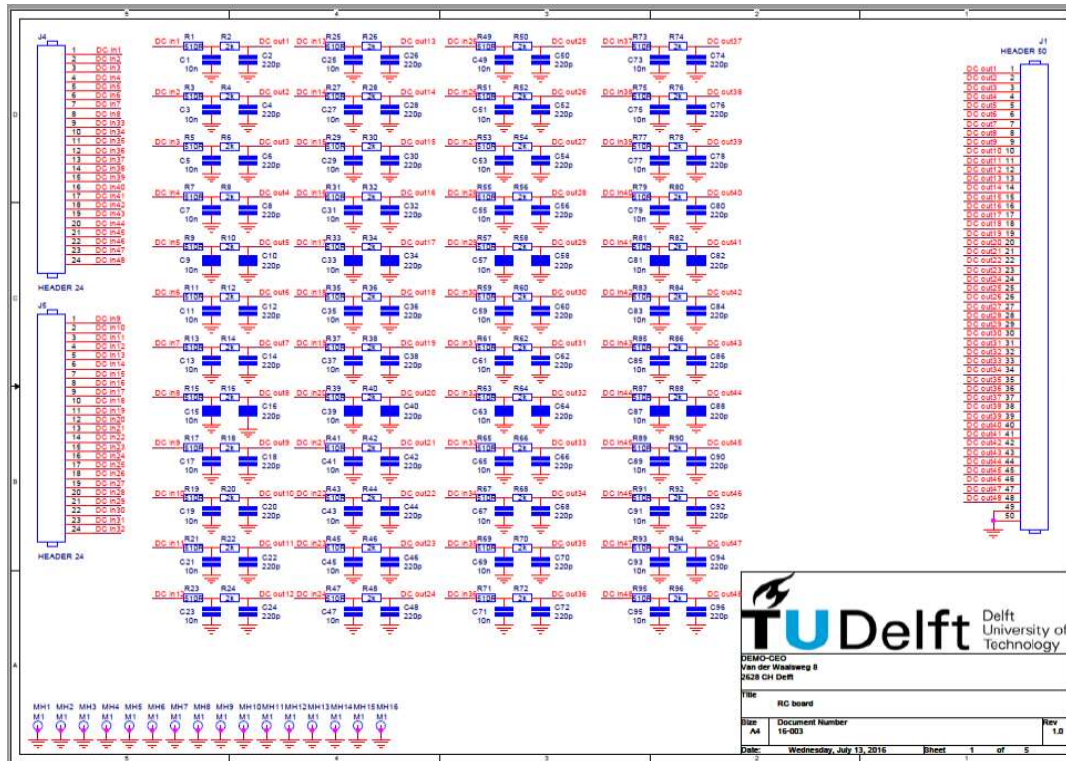
BIAS - T SCHEMATIC



16-003 RC filter

Filter

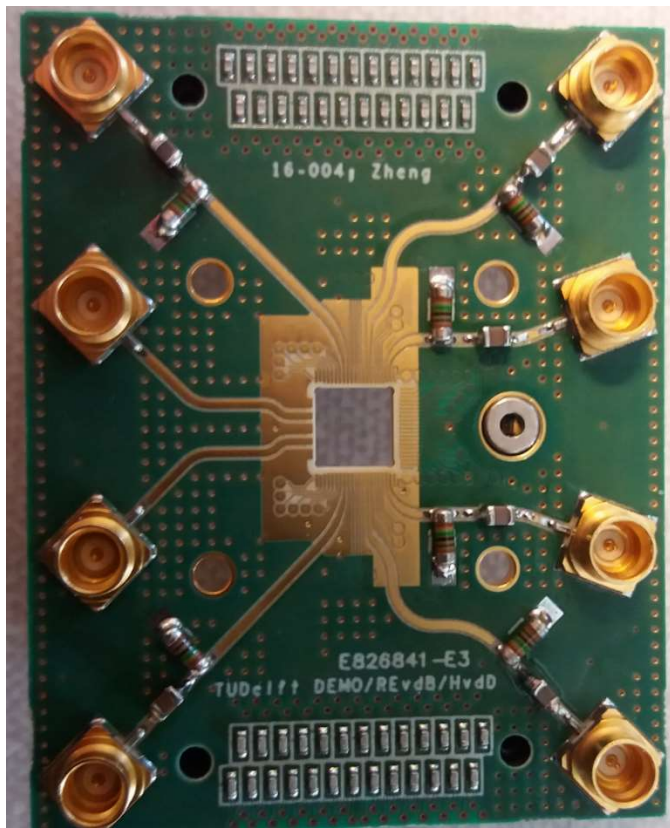
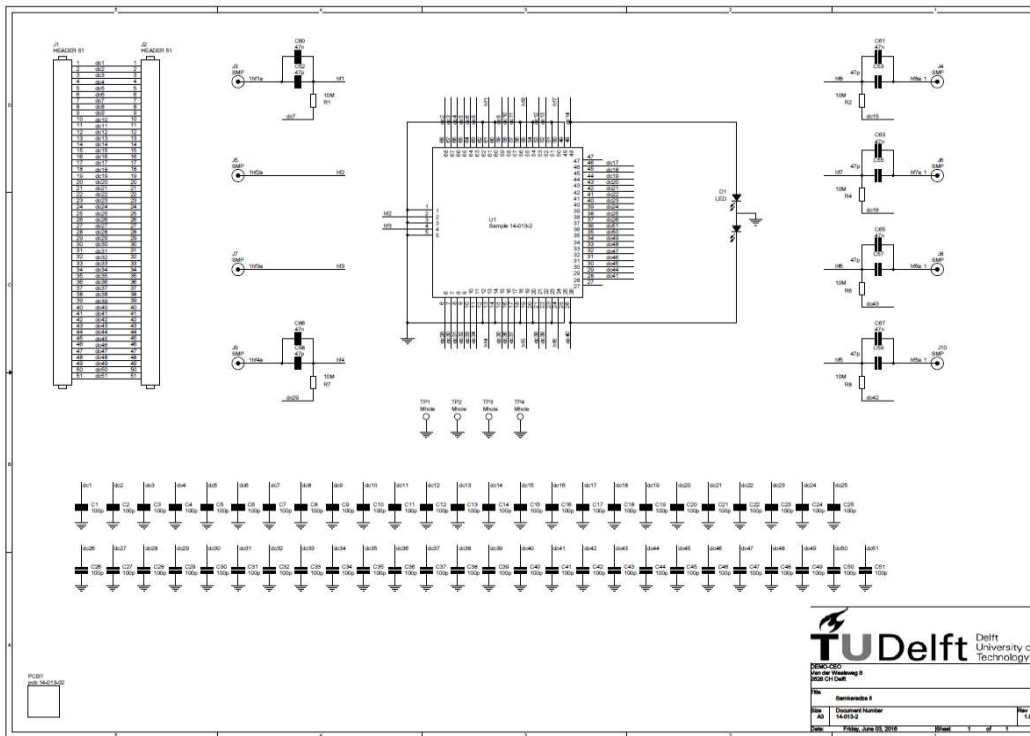
size (LxWxT): 88 x 58 x ? mm



16-004 Sample Board Zheng

Sample Board

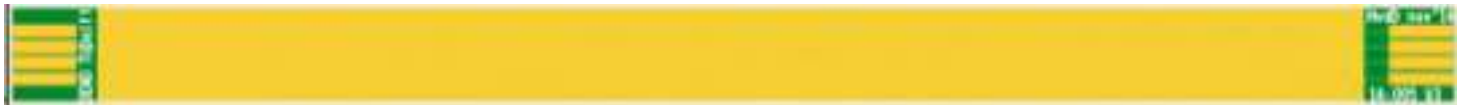
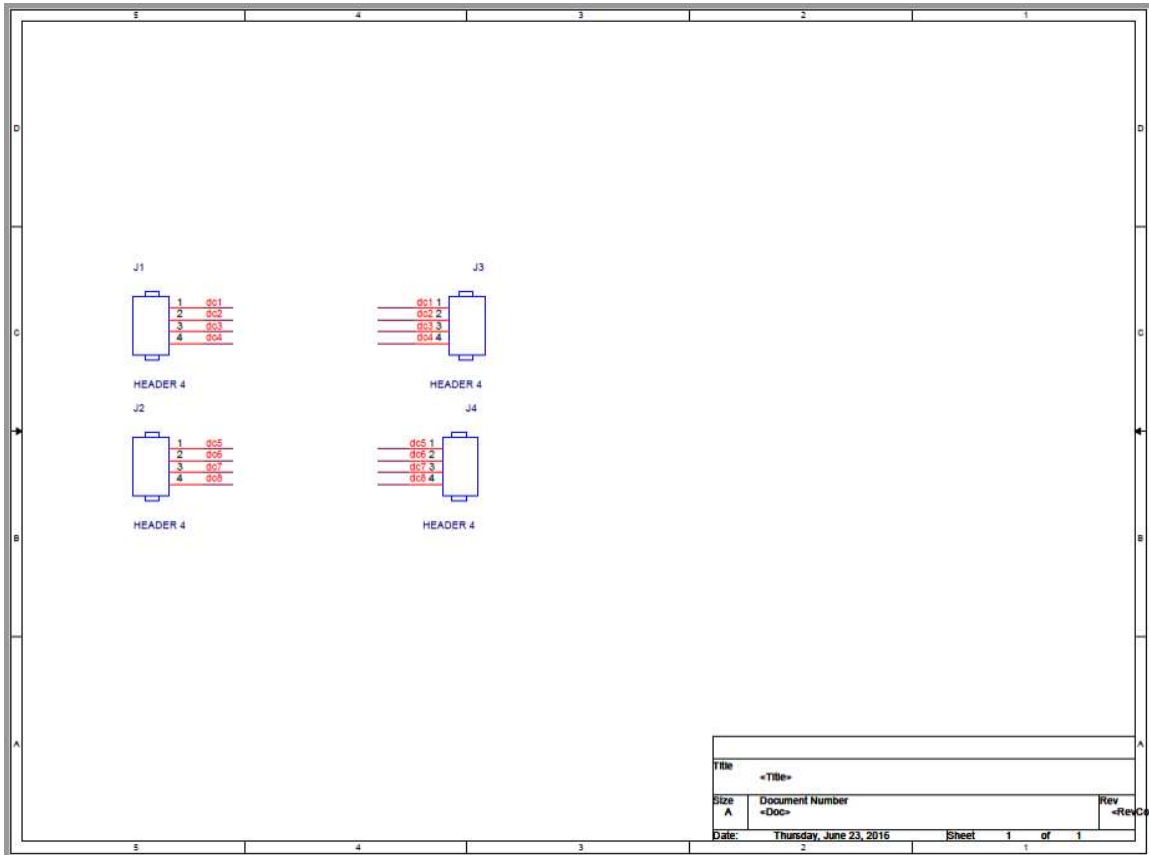
size (LxWxT): 51 x 40 x ? mm



16-005 Copper powder stick

Filter

size (LxWxT): 114 x 7.7 x ? mm

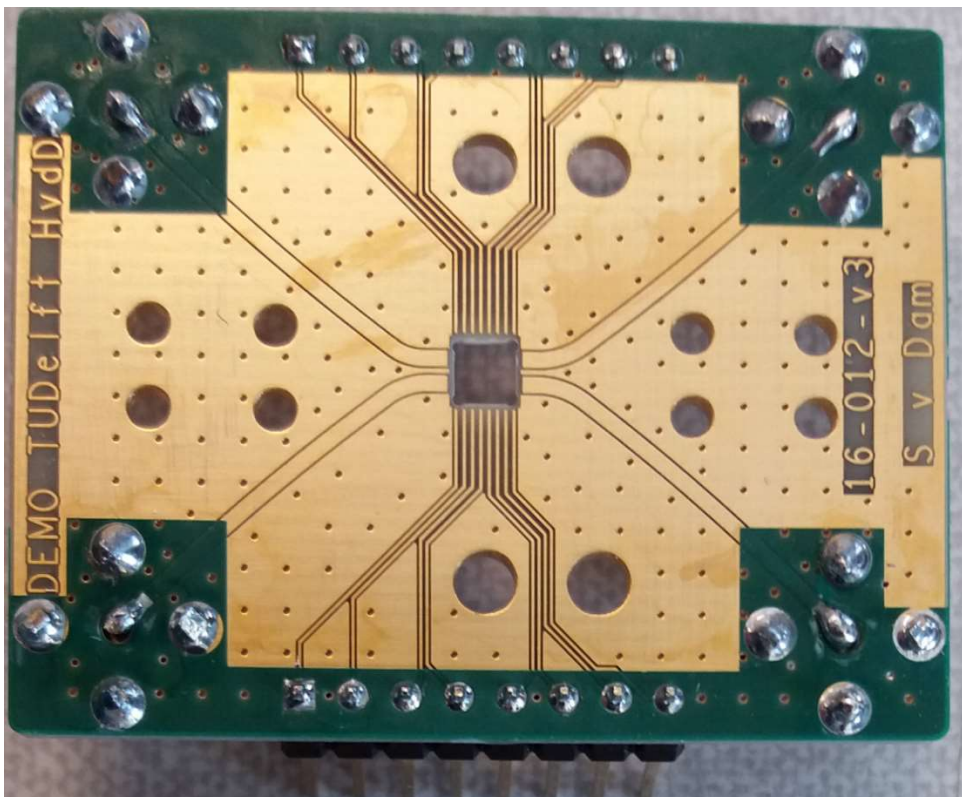
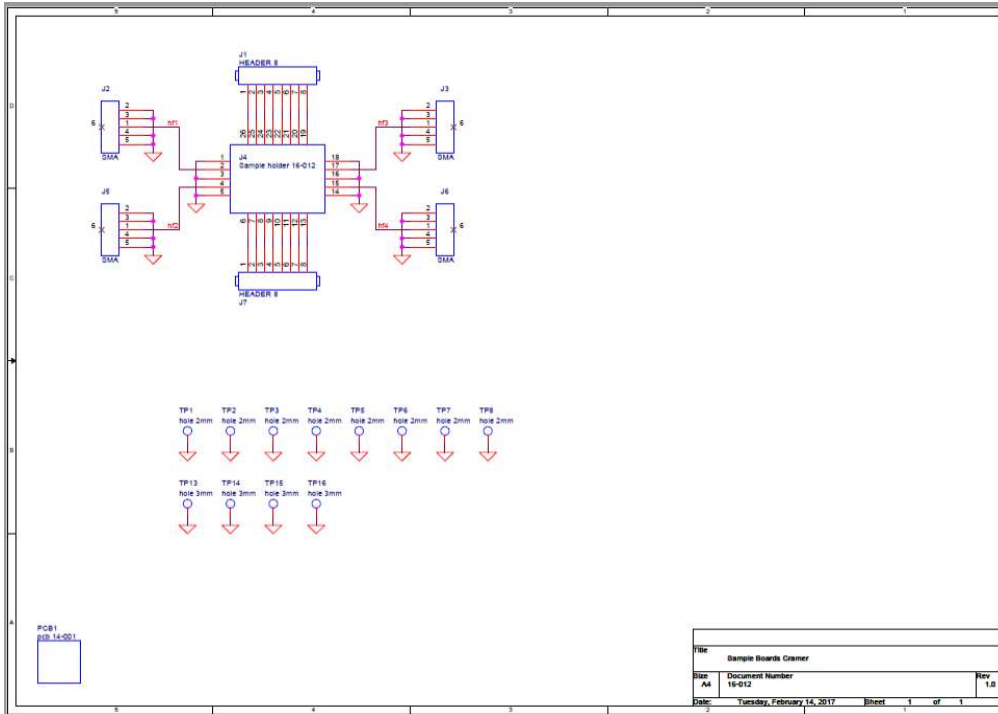


16-012 Sample board v Dam

Sample Board

size (LxWxT): 45 x 35 x ? mm

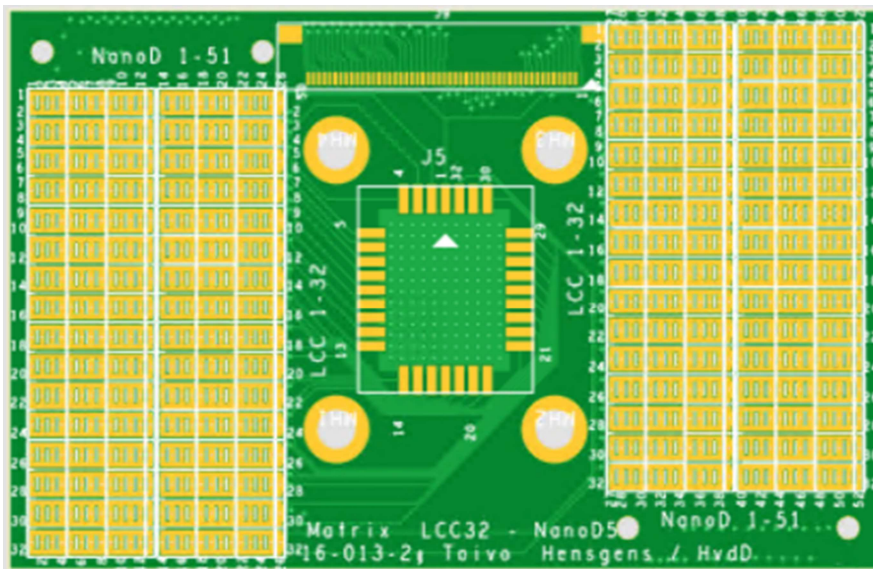
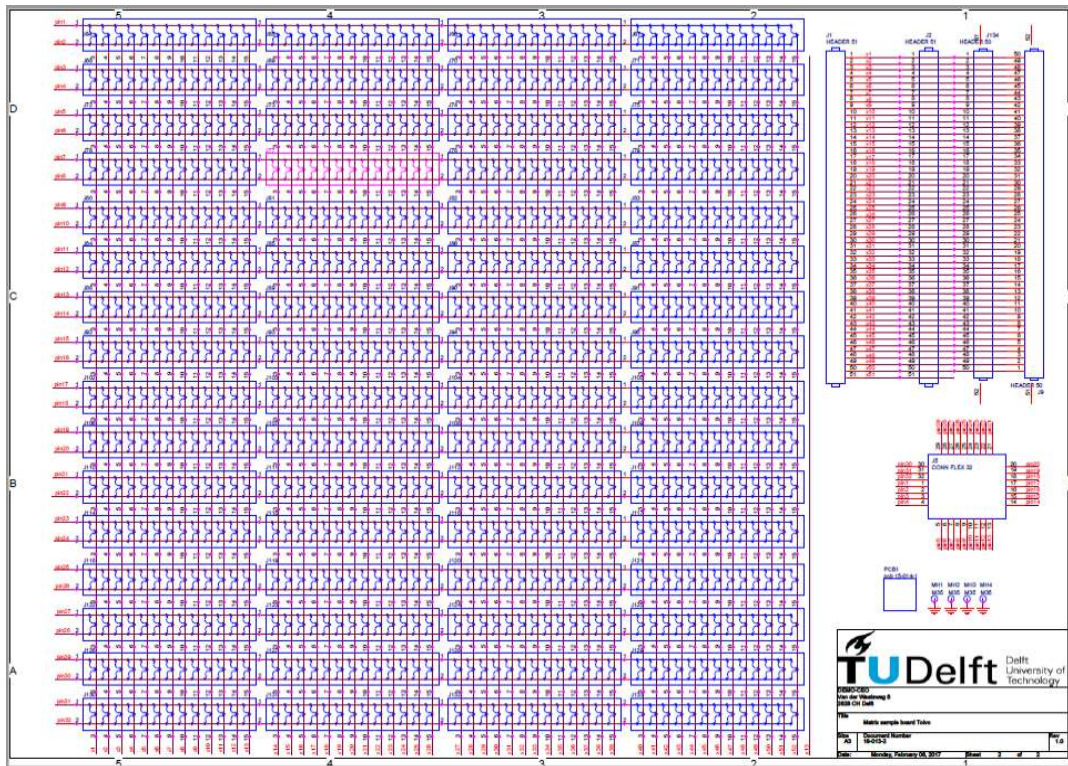
Sample Hole: 2.2 x 2.2 mm



16-013 Sample Board Hensgens

Sample Board

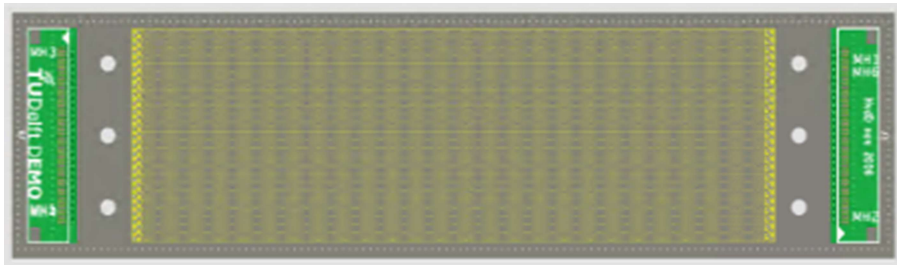
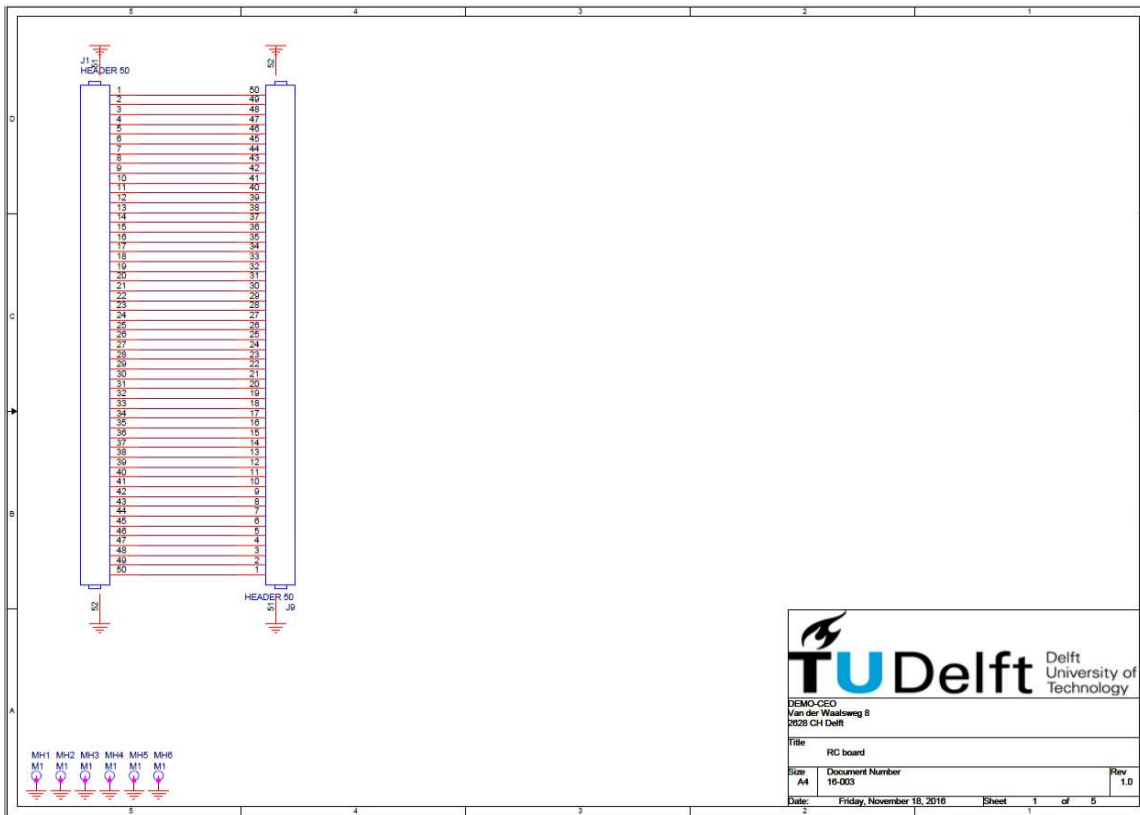
size (LxWxT): 80 x 50 x ? mm



16-017 CuP filter Roy Li

Filter

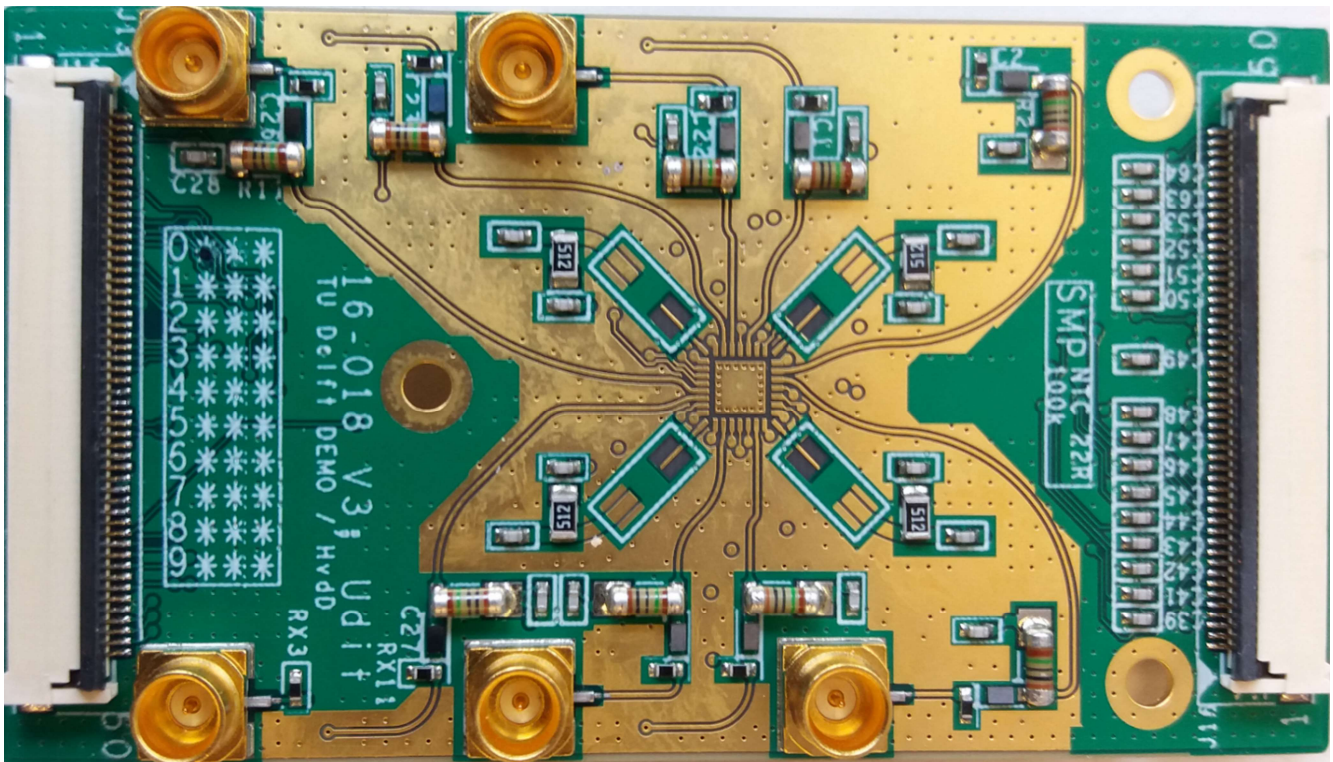
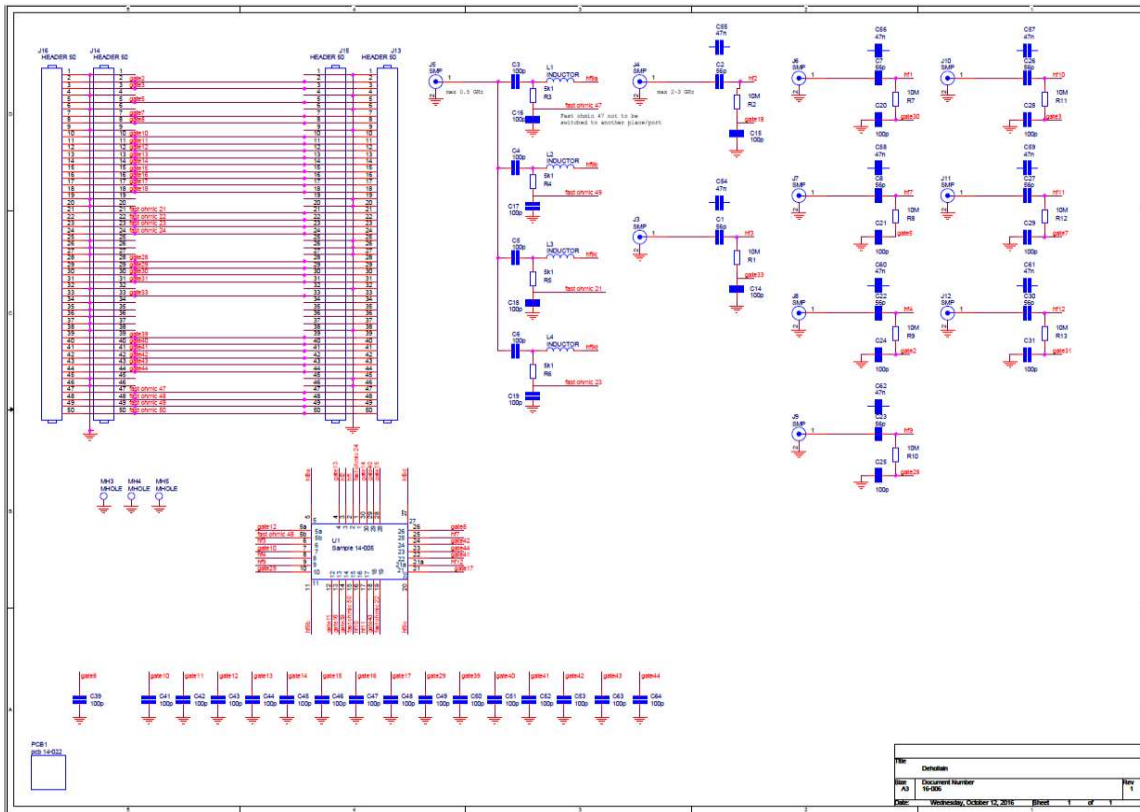
size (LxWxT): 128 x 34.8 x ? mm



16-018 Sample Board Udit

Sample Board

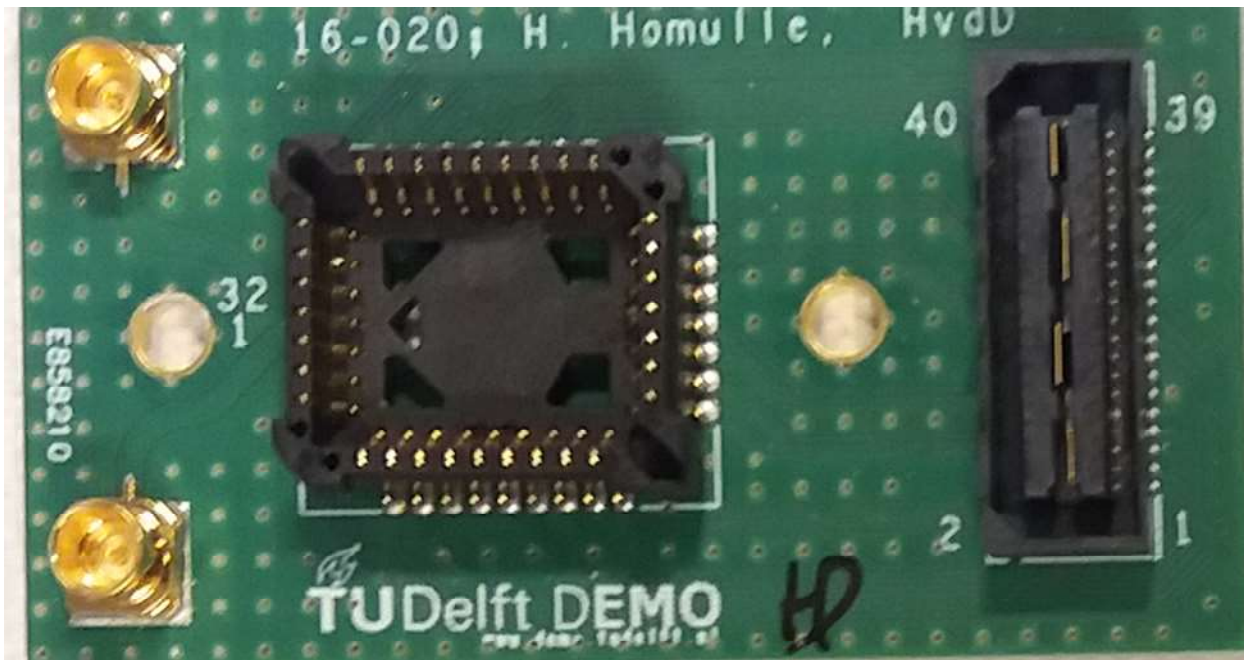
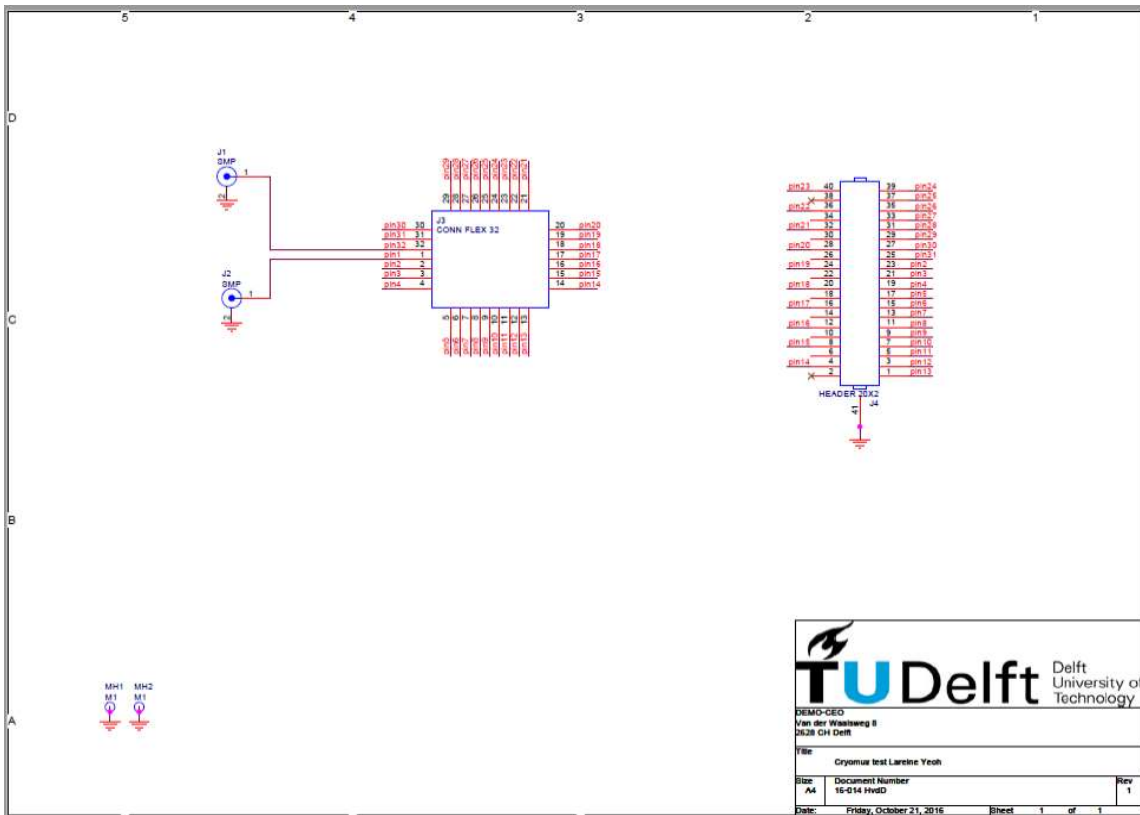
size (LxWxT): 64 x 35 x ? mm



16-020 Sample Board Homulle

Sample Board

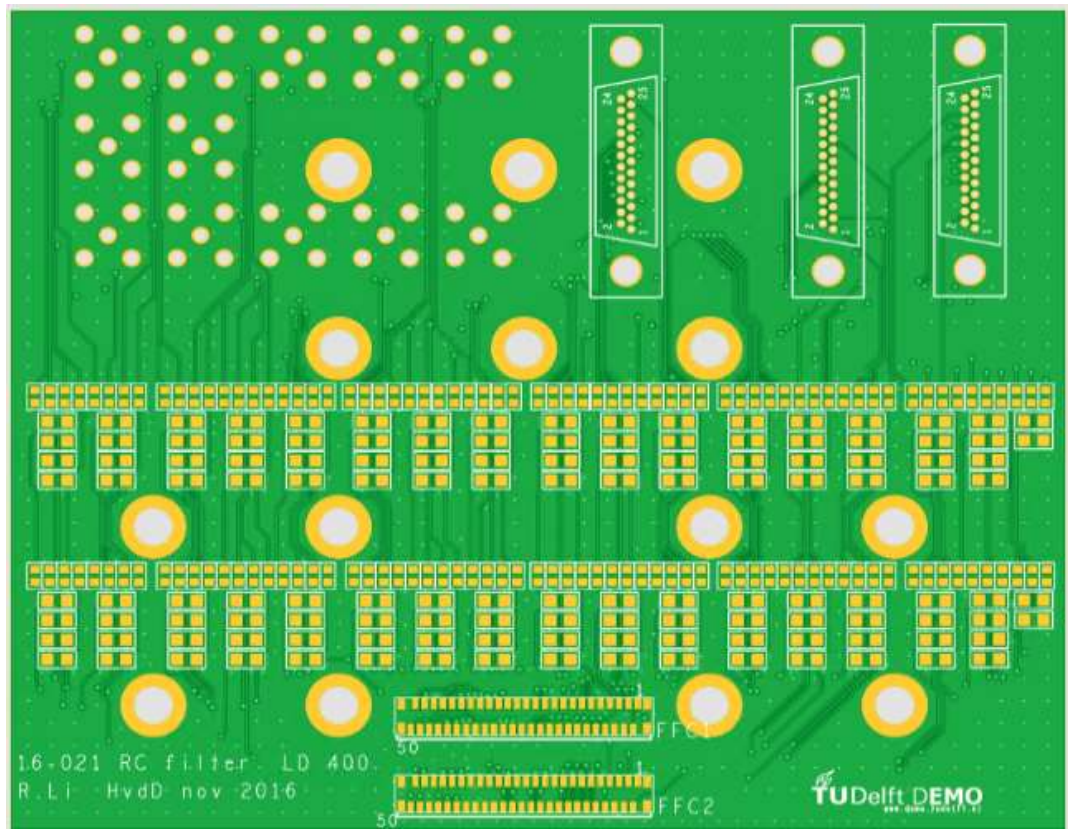
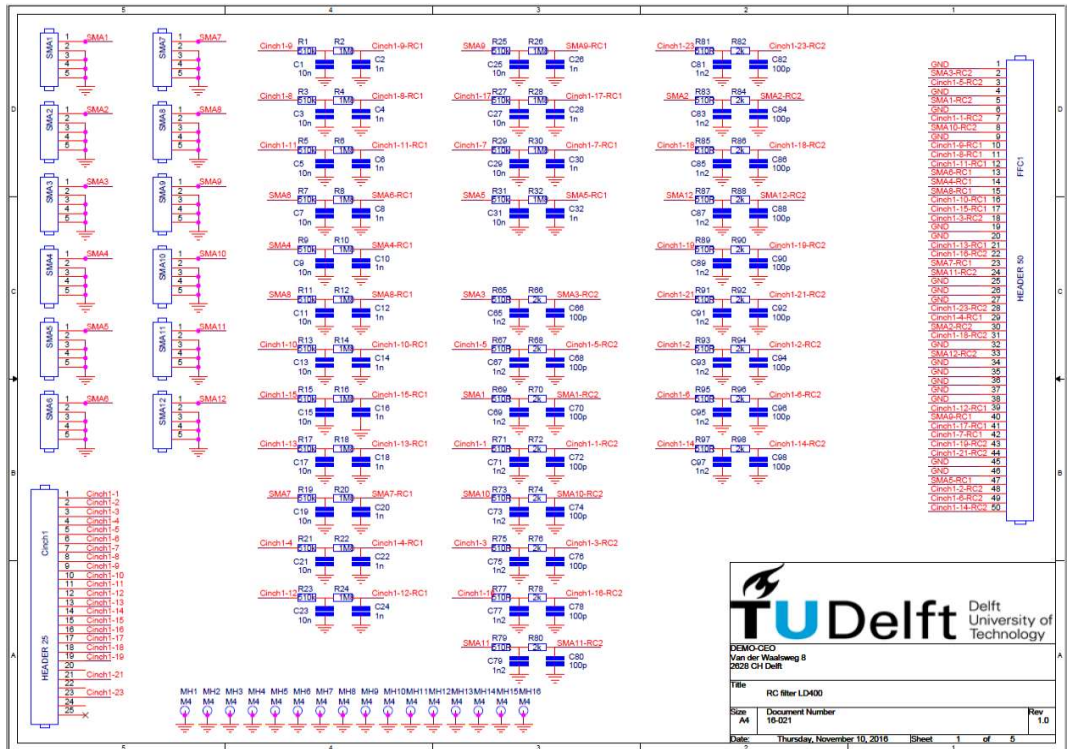
size (LxWxT): 55 x 30 x ? mm



16-021 RC filter LD400

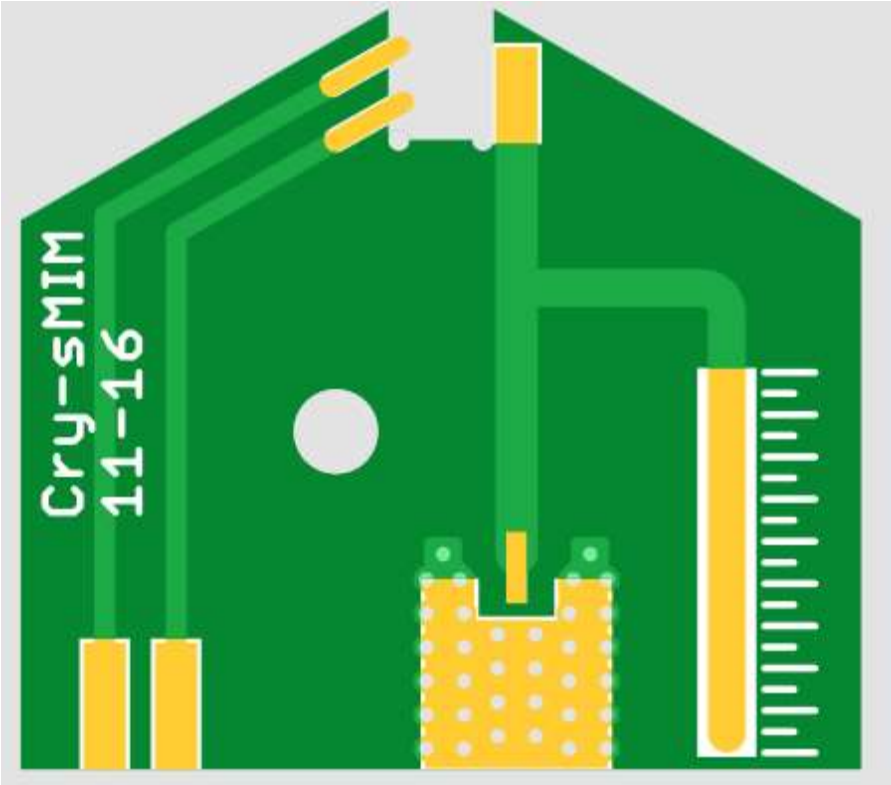
Filter Board

size (LxWxT): 114 x 92.4 x ? mm



16-023 Sample Board Tierschmann

Interface

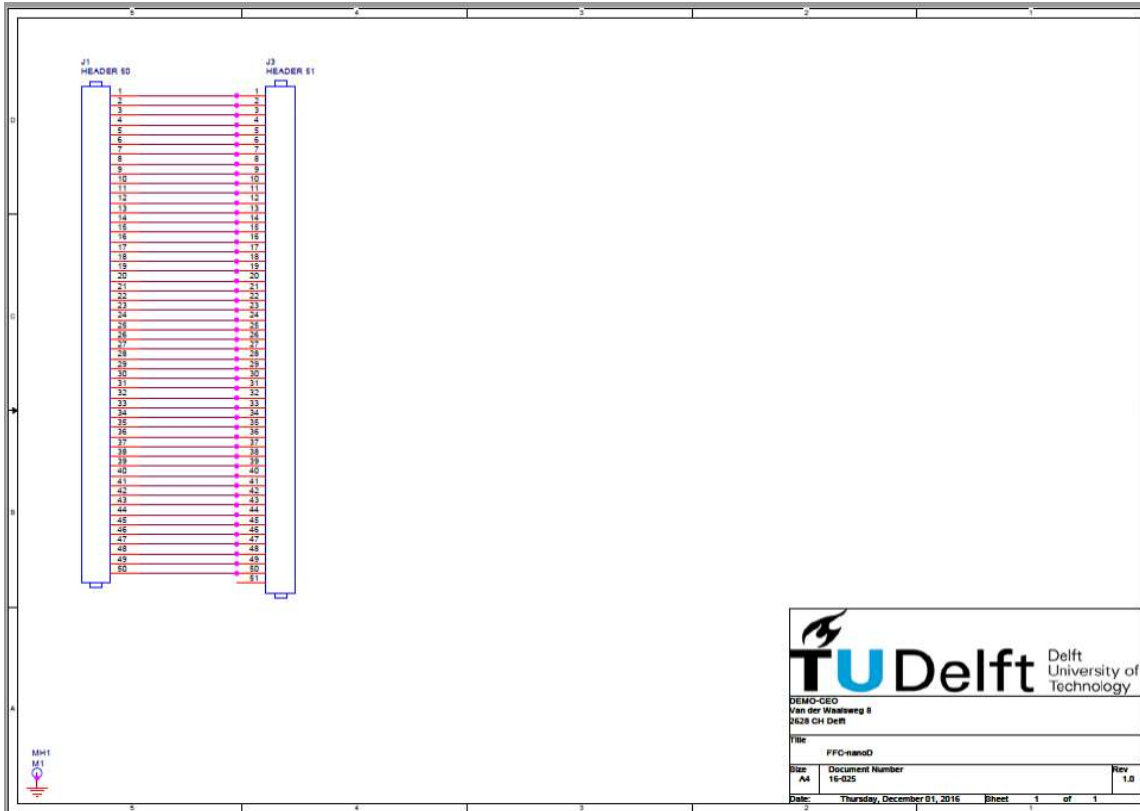


16-025 FFC flex LD400 LDHE XLD

Interface

size (LxWxT): 50 x 45 x ? mm

Different lengths: 90, 150, 180



16-026 RC filter XLD

Filter

size (LxWxT): 160.4 x 100 x ? mm

